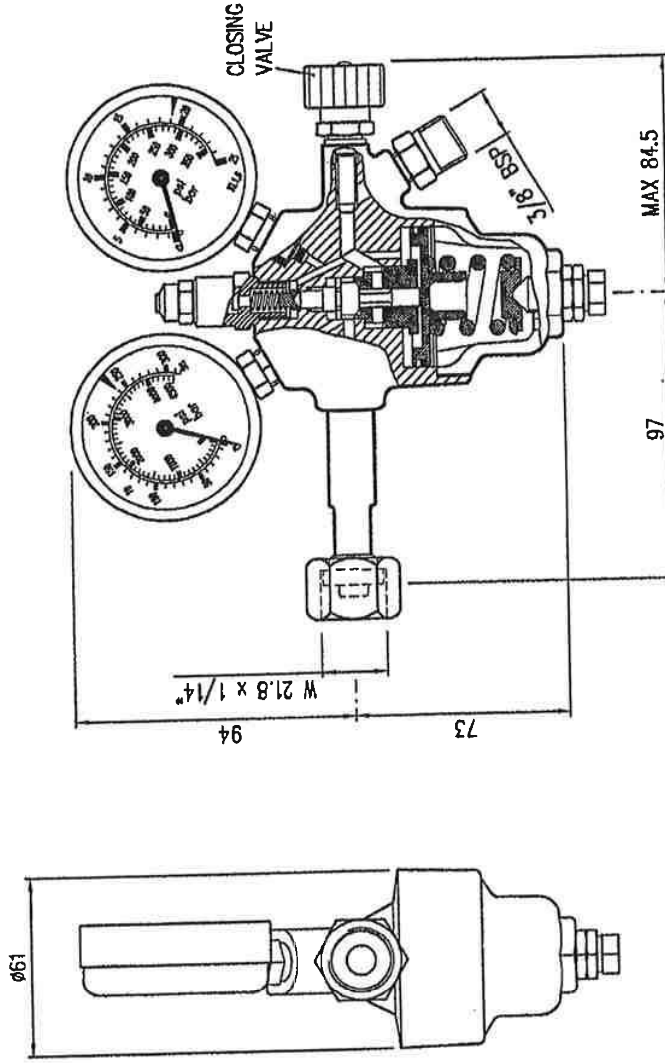


The right to make engineering refinements on all products is reserved. Dimensions and details are subject to change without prior notice. When dimensions are critical, the dimensions should be confirmed by UNITOR.



- MATERIAL : BRASS
- CAPACITY : 100 M³/H
- MAX INLET PRESSURE : 300 BAR
- INLET PRESSURE, GAUGE : 0 - 315 BAR
- MAX OUTLET PRESSURE : 14 BAR
- OUTLET SET PRESSURE : 14 BAR
- OUTLET PRESSURE, GAUGE : 0 - 25 BAR
- SAFETY VALVE SETTING : 16 BAR
- WEIGHT : 1.8 KG

Product no. 595058	03	Drawn by/date JYU 13.07.04	Drawn by/date ILS 25.06.91	System UNITOR DRY CHEMICAL POWDER SYSTEM	Component REGULATOR R 21 0 - 14 BAR	DATA SHEET Data sheet no. 57-03-005
	01	Issued by/date TXI 13.07.04	Issued by/date FDA 25.06.91			
UNITOR		Approved by/date DMO 13.07.04	Approved by/date JTA 25.06.91			

28 PG